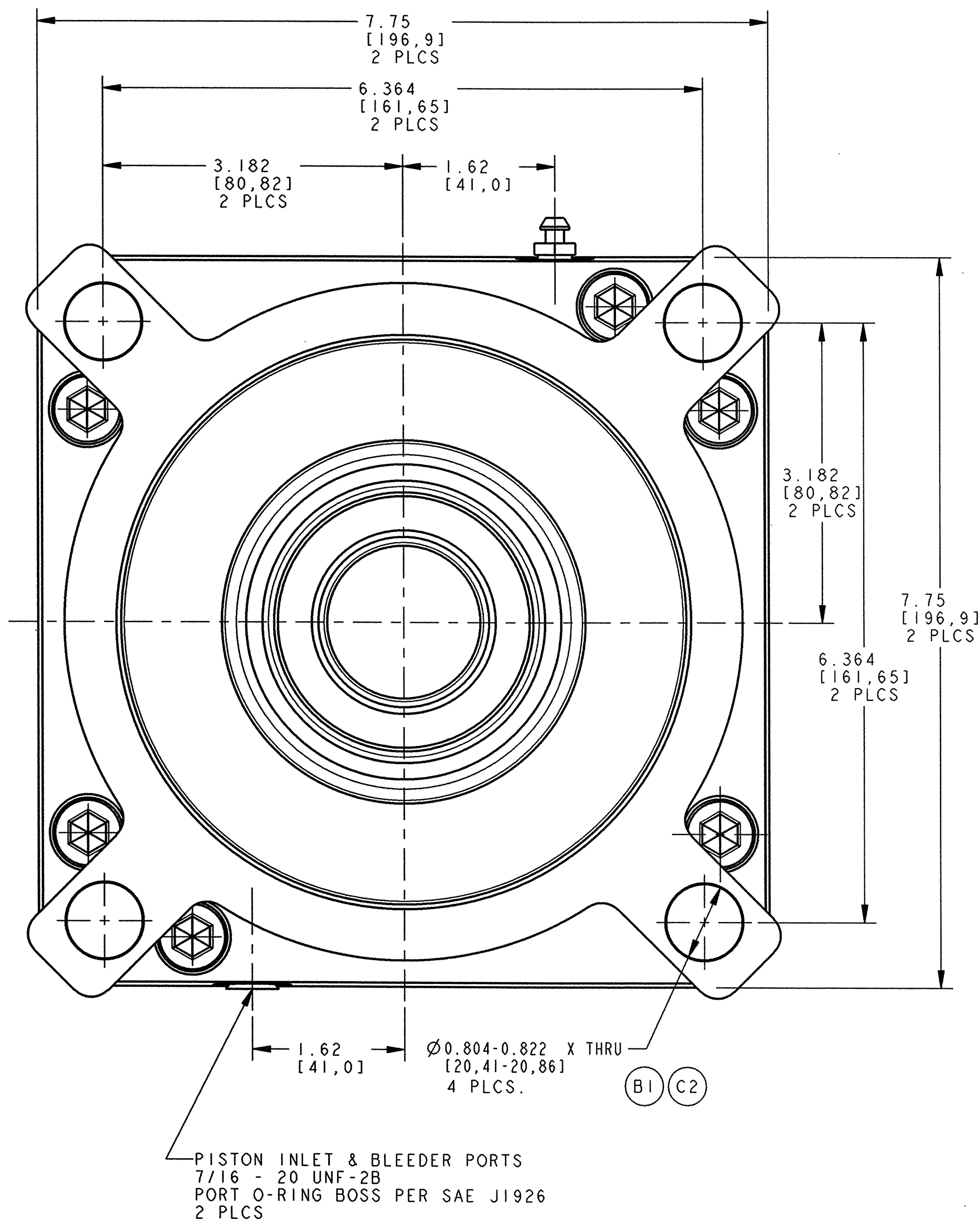
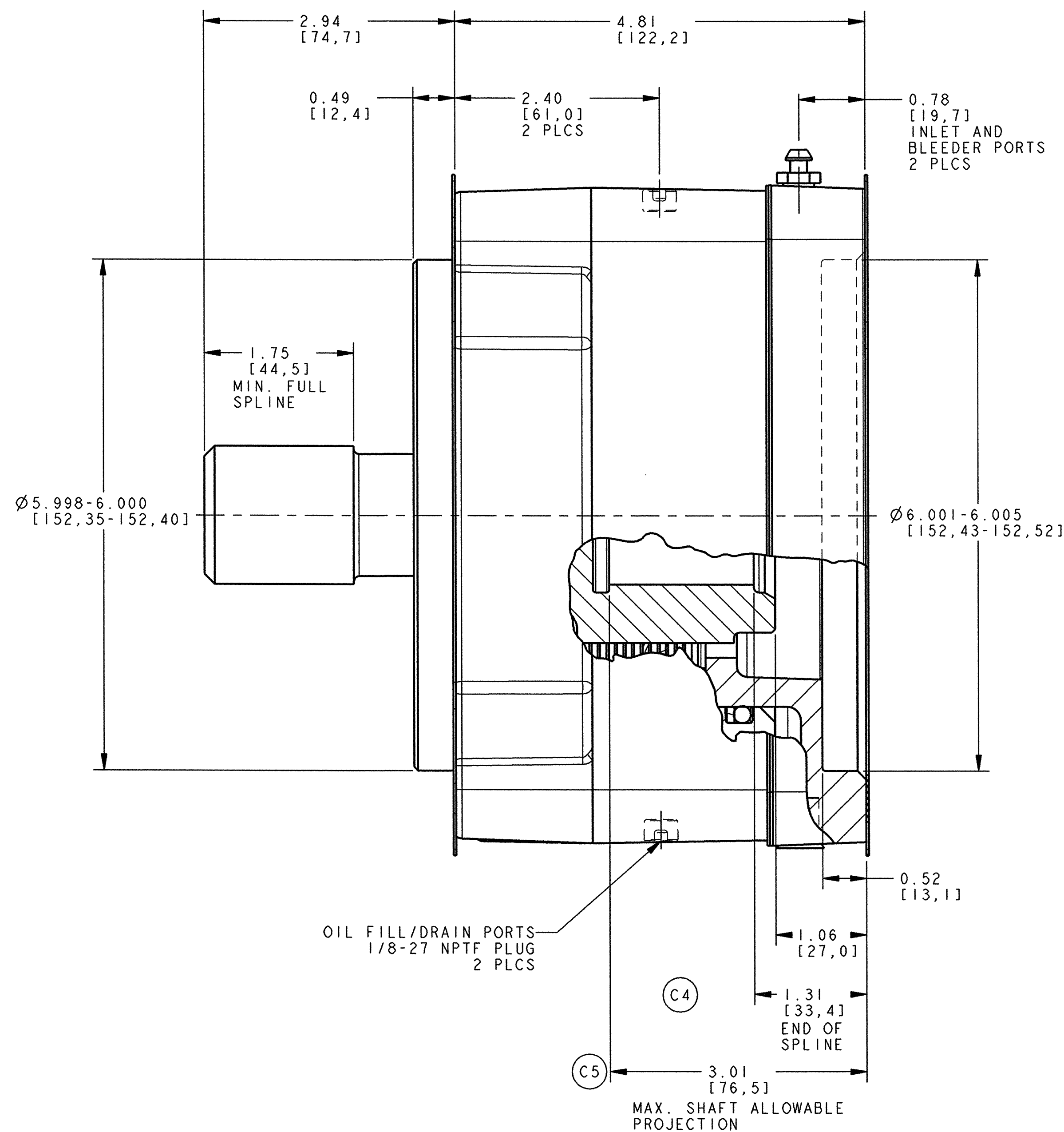
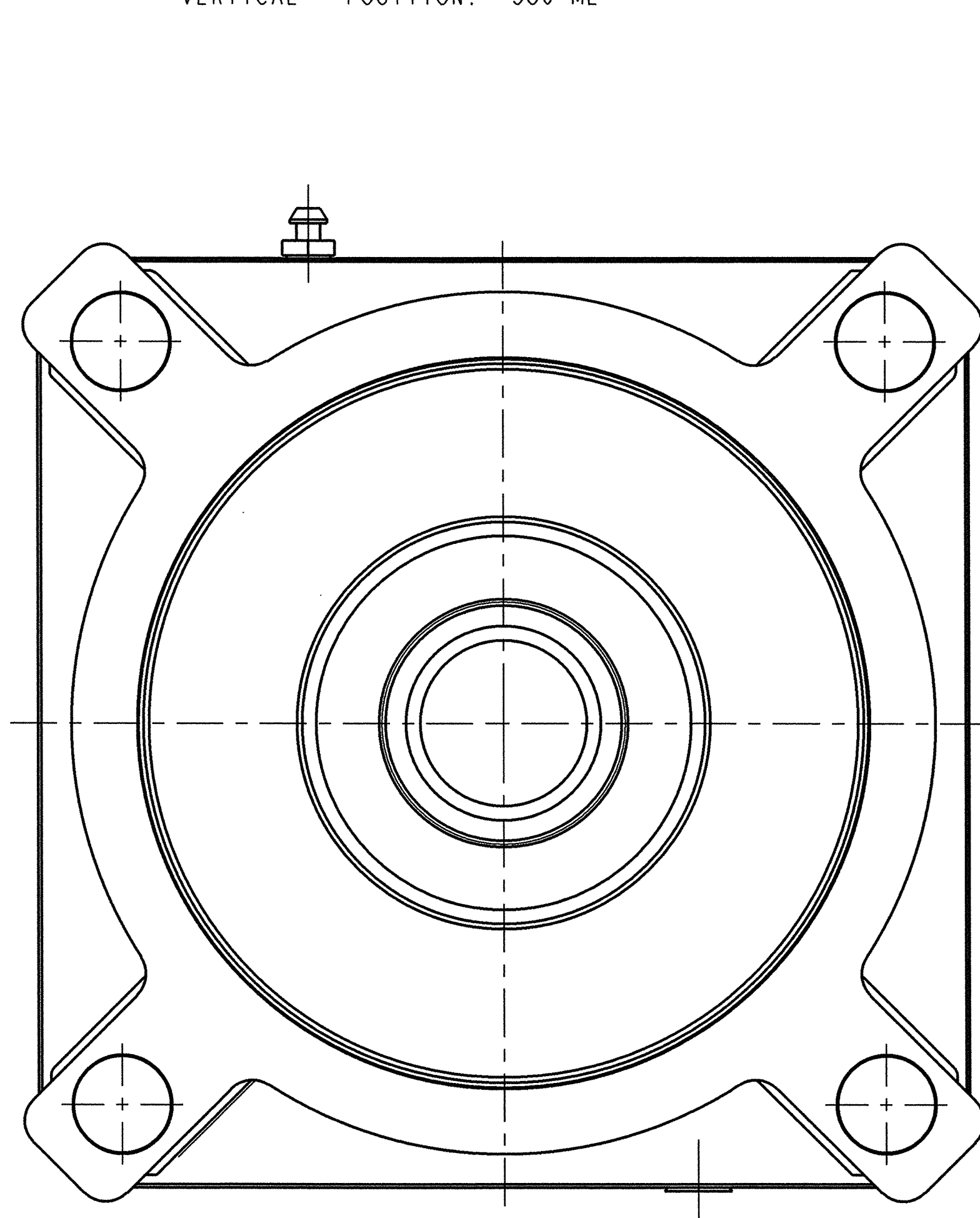


- THIS DRAWING IS MEANT TO PROVIDE CUSTOMER MOUNTING DATA ONLY. ALL DIMENSIONS ARE REFERENCE UNLESS OTHERWISE NOTED.
- THE TORQUE INFORMATION CONTAINED IN THIS DOCUMENT IS FOR REFERENCE ONLY. IT IS RECOMMENDED THAT THIS BRAKE BE TESTED IN THE SPECIFIC APPLICATION TO VERIFY PERFORMANCE. (B2)
- MAXIMUM OPERATING PRESSURE IS 2,750 PSI. PRESSURE SPIKES AND SURGES NOT TO EXCEED 3,500 PSI.
- BRAKE CAVITY COOLING OIL PRESSURE NOT TO EXCEED 15 PSI.
- FILL HOUSING WITH THE SPECIFIED QUANTITY OF DTE-26. THE AMOUNT OF OIL NEEDED IS DEPENDENT UPON THE SHAFT ORIENTATION. IF THE SHAFT IS INSTALLED IN A HORIZONTAL POSITION, THE AMOUNT OF OIL ADDED TO THE BRAKE WILL BE DIFFERENT THAN IF THE SHAFT IS INSTALLED VERTICALLY.
HORIZONTAL POSITION: 200 ML
VERTICAL POSITION: 380 ML



TEH	C5	22440	WAS 3.20	12-08-04	LTC
TEH	C4	22440	REMOVED DIM. 1.70 (MIN. FULL SPLINE)	12-08-04	LTC
TEH	C3	22440	WAS PROJ 4401	12-08-04	LTC
TEH	C2	22440	WAS Ø0.807-0.822	12-08-04	LTC
TEH	C1	22440	REVISED & REDRAWN IN PRO-E	12-08-04	LTC
APB	B2	11394	ADD NOTE 3 & 4	08-10-99	SJS
APB	B1	11394	WAS Ø0.813/0.808	08-10-99	SJS
BD	A	11043	RELEASED FOR PRODUCTION	08-12-98	SJS

DO NOT SCALE THIS DRAWING
PROPRIETARY DATA: NOT TO BE
DISCLOSED, USED, OR DUPLICATED
FOR PROCUREMENT OR MANUFACTURING
PURPOSES, EXCEPT AS AUTHORIZED
IN WRITING BY AUSCO, INC.

AUSCO **PRO/E**
NO MANUAL CHANGES

D	D	16,000	220	13T 8/16	13T 8/16	PROJECT	DATE	PART NAME
MOTOR	REDUCER	RATED TORQUE (LB IN)	RELEASE PRESSURE (PSI)	INPUT (INTERNAL)	OUTPUT (EXTERNAL)	4579	03-21-98	MULTI DISC D "WET" SQ. BRAKE
MOUNTING FLANGE SAE J744	SPLINE DATA					DESIGNER	SCALE	PART NUMBER
					TED HORNUS		1.000	CC76349