

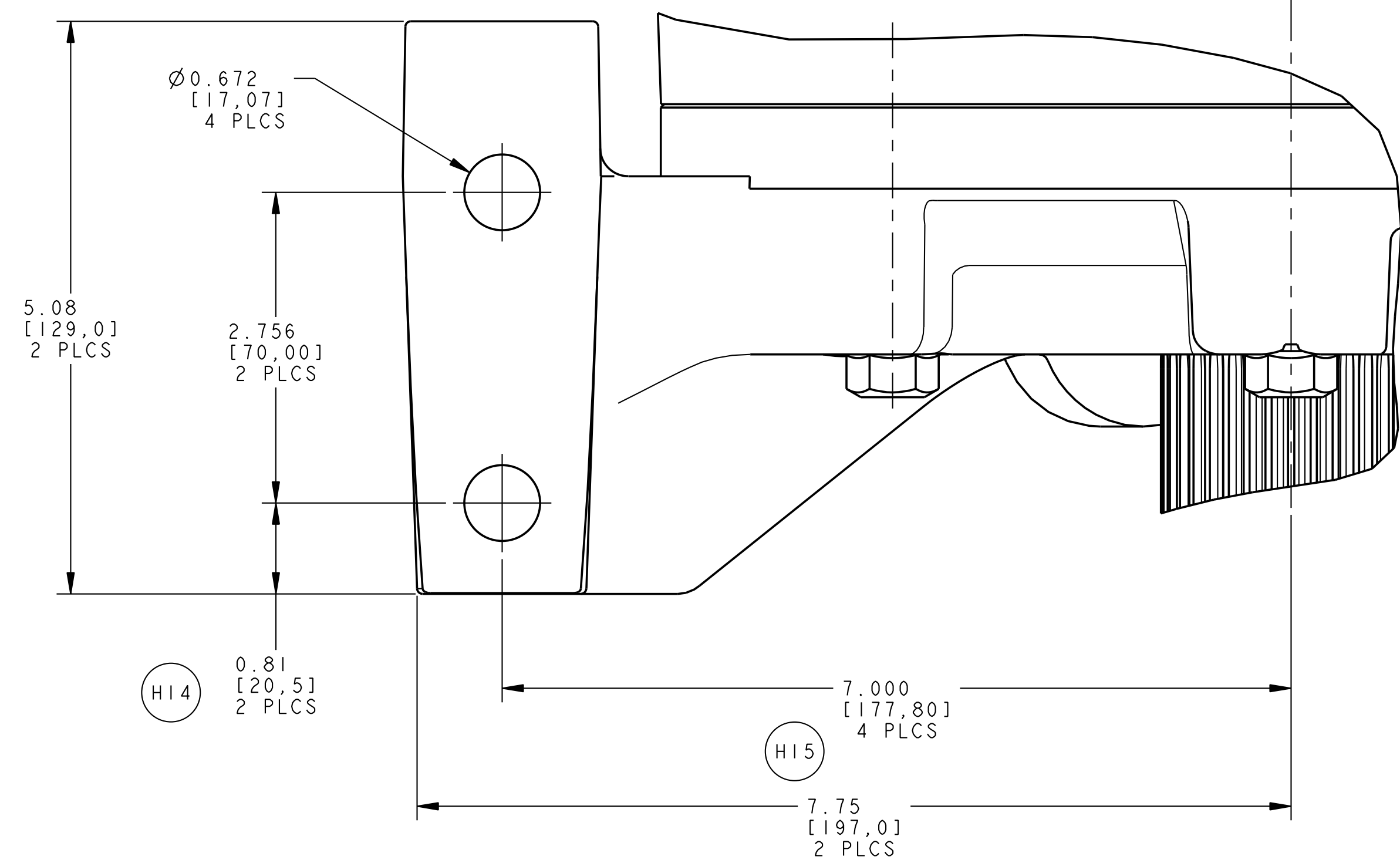
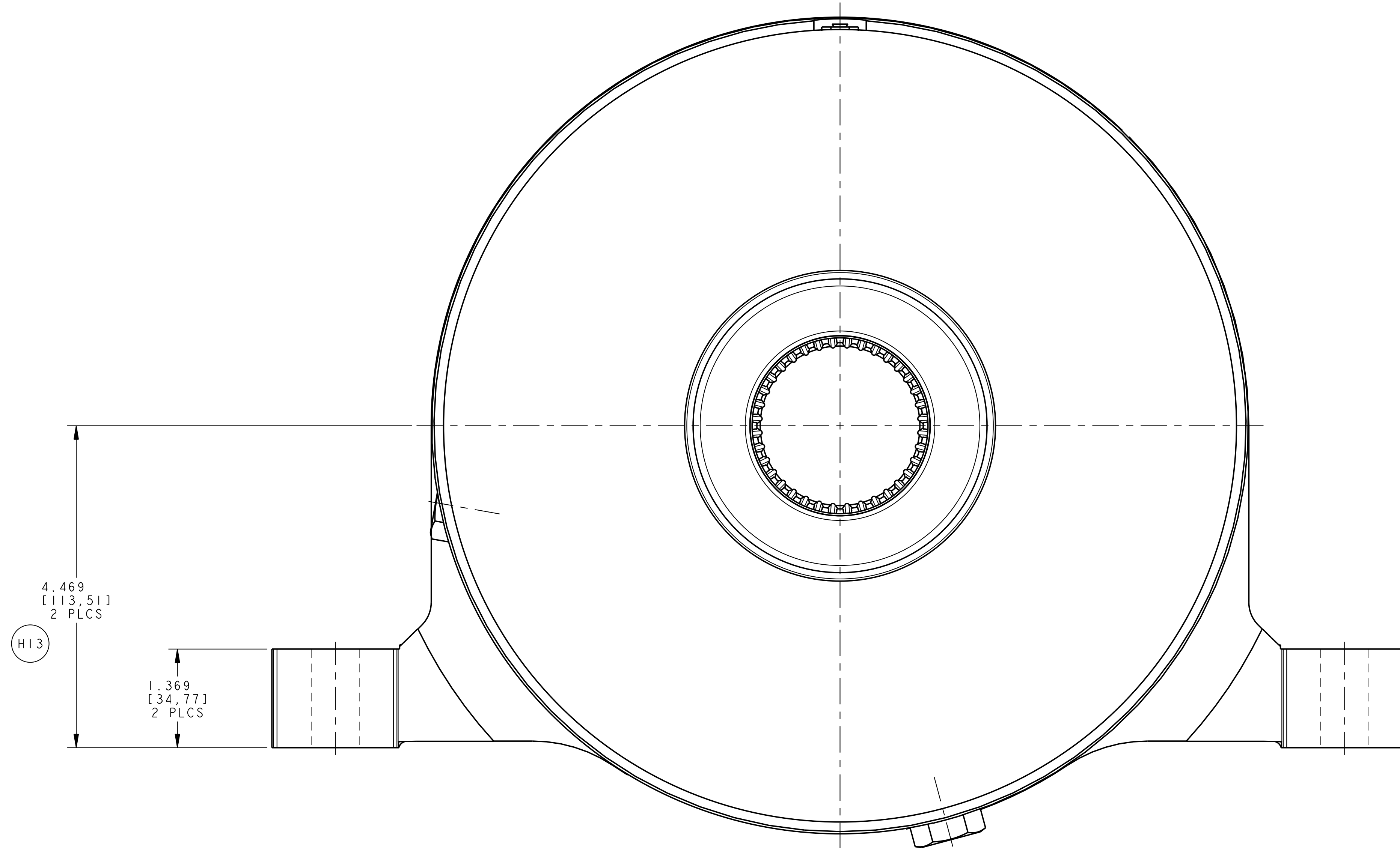
NDC H20	27847	ADD DIM 7.75 2 PLCS	10-17-14	KMc	
NDC H19	27847	ADD DIM $\varnothing 0.672$ 4 PLCS	10-17-14	KMc	
NDC H18	27847	ADD DIM 9.253	10-17-14	KMc	
NDC H17	27847	ADD M10 X 1.50 LIFTING HOLE	10-17-14	KMc	
NDC H16	27847	ADD DIM 5.643 FAILSAFE INLET	10-17-14	KMc	
NDC H15	27847	ADD 4 PLCS	10-17-14	KMc	
NDC H14	27847	WAS DIM 0.806 2 PLCS	10-17-14	KMc	
NDC H13	27847	ADD DIM 4.469 2 PLCS	10-17-14	KMc	
NDC H12	27847	WAS DIM 2.048	10-17-14	KMc	
NDC H11	27847	ADD DIM 2.352	10-17-14	KMc	
NDC H10	27847	WAS 225 PSI	10-17-14	KMc	
NDC H9	27847	ADD PORT CALLOUT	10-17-14	KMc	
NDC H8	27847	ADD FAILSAFE INLET	10-17-14	KMc	
NDC H7	27847	REM DIM 3.021	10-17-14	KMc	
NDC H6	27847	ADD DIM 8.173	10-17-14	KMc	
NDC H5	27847	ADD DIM 4.539	10-17-14	KMc	
NDC H4	27847	WAS DIM $\varnothing 11.29$	10-17-14	KMc	
NDC H3	27847	REM DIM 3.29	10-17-14	KMc	
NDC H2	27847	ADD DUAL UNITS TO NOTES	10-17-14	KMc	
NDC H1	27847	REM REVISIONS F AND G	10-17-14	KMc	
TEH A	20172	RELEASE FOR PRODUCTION	02-05-01	SJS	
CHRR	SYM	ECO	DESCRIPTION	DATE	BY



- NOTES:
- THIS DRAWING IS MEANT TO PROVIDE CUSTOMER MOUNTING DATA ONLY. ALL DIMENSIONS ARE REFERENCE UNLESS OTHERWISE NOTED.
  - THE TORQUE INFORMATION CONTAINED IN THIS DOCUMENT IS FOR REFERENCE ONLY. IT IS RECOMMENDED THAT THIS BRAKE BE TESTED IN THE SPECIFIC APPLICATION TO VERIFY PERFORMANCE.
  - MAXIMUM OPERATING PRESSURE IS 750 PSI [52 BAR]. PRESSURE SPIKES AND SURGES NOT TO EXCEED 1000 PSI [69 BAR].
  - TORQUE YOKE NUT TO 275-325 FT-LBS [373-441 Nm].
  - FILL HOUSING W/DTE-26 OIL UNTIL IT RUNS OUT SIDE PORT. INSERT PLUG.
  - MAXIMUM HORIZONTAL OPERATING SPEED IS 3500 RPM.

44,000 [4971]	260 [18]	YOKE END SPLINE DATA	PROJECT 4579	DATE 02-05-01	PART NAME MULTI-DISC WET BRAKE
RATED TORQUE (LB IN) [Nm]	RELEASE PRESSURE (PSI) [BAR]	36T 16/32 ANSI B92.1 SIDE FIT	DESIGNER S. SHOUP	SCALE 1.000	PART NUMBER SHEET 1 OF 2 CC79622

DO NOT SCALE THIS DRAWING  
 PROPRIETARY DATA: NOT TO BE DISCLOSED, USED, OR DUPLICATED FOR PROCUREMENT OR MANUFACTURING PURPOSES, EXCEPT AS AUTHORIZED IN WRITING BY AUSCO, INC.  
 CREATED WITH PRO/E NO MANUAL CHANGES

NOTES:  
SEE SHEET 1.



-	-	-	SEE SHEET 1	-	-
CHKR	SYM	ECO	DESCRIPTION	DATE	BY
CS DRAWING	SEE SHEET 1				
CC DRAWING	SEE SHEET 1				
PROJECT	DATE	PART NAME		CREATED WITH	
4579	02-05-01	MULTI-DISC WET BRAKE		 	
DESIGNER	SCALE	PART NUMBER		NO MANUAL CHANGES	
S. SHOUP	1.000	SHEET 2 OF 2		CC79622	

SEE SHEET 1	SEE SHEET 1	YOKE END SPLINE DATA
RATED TORQUE (IN-LBS) [Nm]	RELEASE PRESSURE (PSI) [BAR]	SEE SHEET 1