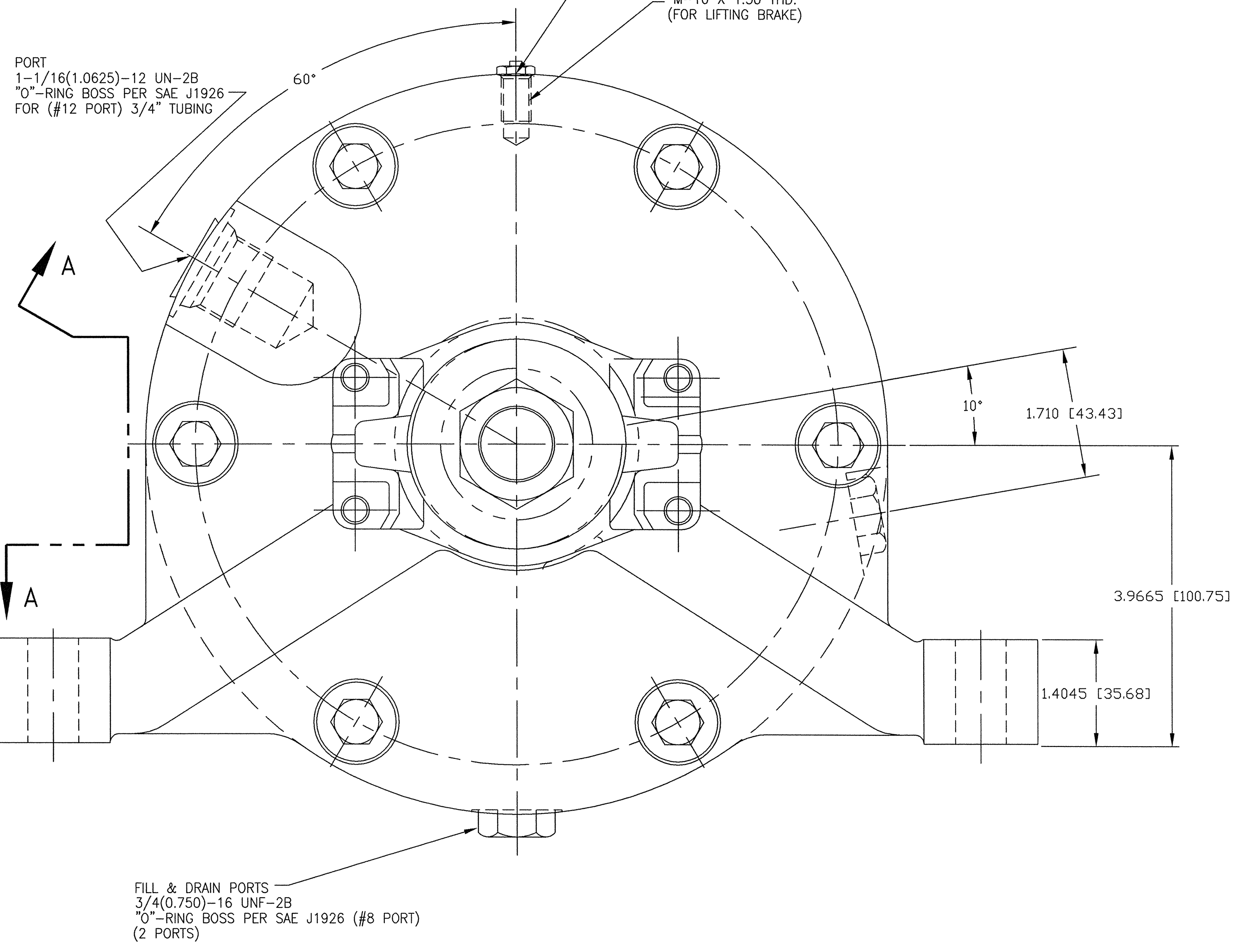


VIEW A-A

NOTES:

- ① CUSTOMER IS PROVIDING YOKE.
- 2. THIS DRAWING IS FOR CUSTOMER MOUNTING DESIGN PURPOSES ONLY. ALL DIMENSIONS ARE REFERENCE UNLESS OTHERWISE SPECIFIED.
- ③ THE TORQUE INFORMATION CONTAINED WITHIN THIS DOCUMENT IS FOR REFERENCE ONLY. IT IS RECOMMENDED THIS BRAKE BE TESTED IN THE SPECIFIC OEM APPLICATION TO VERIFY PERFORMANCE.
- 4. MAXIMUM OPERATING PRESSURE IS 750 PSI PRESSURE SPIKES OR SURGES NOT TO EXCEED 1000 PSI.
- ⑤ TORQUE YOKE NUT TO 275 - 325 FT.LB.
- 6. FILL HOUSING WITH DTE-26 OIL UNTIL OIL FLOWS OUT OF SIDE PORT, INSERT PLUG
- * 7. THESE DIM'S WILL VARY AS TO POSITION OF YOKE.



FILL & DRAIN PORTS
 3/4(0.750)-16 UNF-2B
 "O"-RING BOSS PER SAE J1926 (#8 PORT)
 (2 PORTS)

BAS	F1	22100	CS: CHANGED PK KITS	07-08-04	NDC
JT	E1	20963	MODIFIED NOTE 3	06-24-02	JO
JT	D1	20887	REVISED NOTES 1 THRU 7	04-30-02	SJS
JT	C	20826	UPDATED PICTORIALY	03-18-02	NDC
JT	B	20443	REVERSED SHAFT DIRECTION	07-23-01	JLM
JT	A	20408	RELEASED FOR PRODUCTION	07-23-01	JLM
CHKR	SYM	ECO	DESCRIPTION	DATE	BY

DO NOT SCALE THIS DRAWING
 PROPRIETARY DATA: NOT TO BE
 DISCLOSED, USED, OR DUPLICATED
 FOR PROCUREMENT OR MANUFACTURING
 PURPOSES, EXCEPT AS AUTHORIZED
 IN WRITING BY AUSCO, INC.

AUSCO COMPUTER AIDED DRAFTING NO MANUAL CHANGES

STATIC TORQUE	FULL RELEASE PRESSURE (PSI)	YOKE END 1550 SPLINE DATA	PROJECT 4227	DATE 07-23-01	PART NAME CONFIGURATION CONTROL DWG
25,700 LB IN 2904 N-m	195 PSI 13.27 BAR	34T STRAIGHT SIDED FIT SPLINE	DESIGNER J. MICHAEL	SCALE 1X	PART NUMBER CC-80695