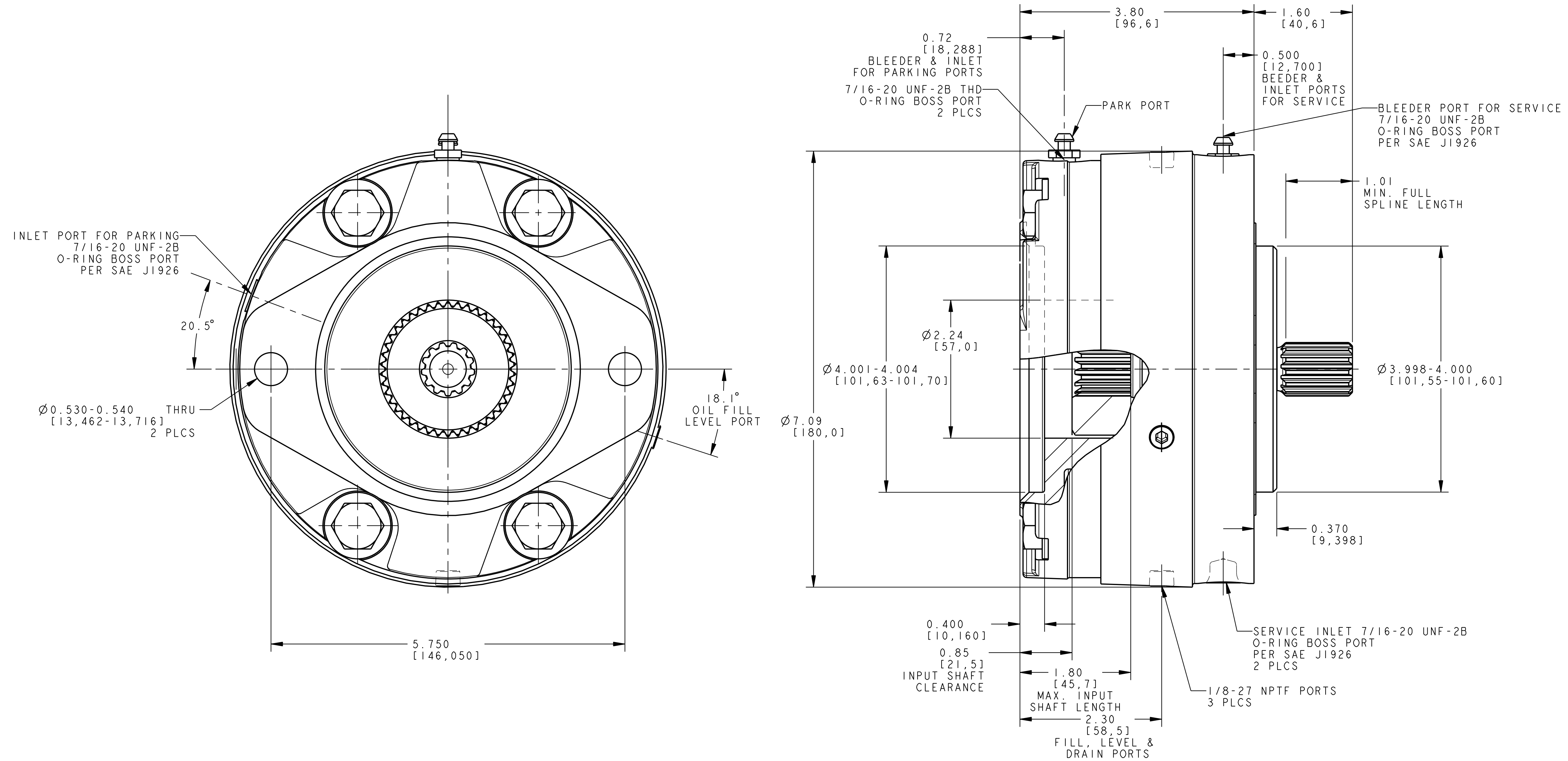


1. THIS DRAWING IS MEANT TO PROVIDE CUSTOMER MOUNTING DATA ONLY. ALL DIMENSIONS ARE REFERENCE UNLESS OTHERWISE NOTED.
2. THE TORQUE INFORMATION CONTAINED IN THIS DOCUMENT IS FOR REFERENCE ONLY. IT IS RECOMMENDED THAT THIS BRAKE BE TESTED IN THE SPECIFIC APPLICATION TO VERIFY PERFORMANCE.
3. MAXIMUM OPERATING PRESSURE FOR PARKING IS 700 PSI [48.3 BAR]. PRESSURE SPIKES AND SURGES NOT TO EXCEED 900 PSI [62.1 BAR]. MAXIMUM OPERATING PRESSURE FOR SERVICE IS 550 PSI [37.9 BAR]. PRESSURE SPIKES AND SURGES NOT TO EXCEED 750 PSI [51.7 BAR].
4. FILL HOUSING WITH THE SPECIFIED QUANTITY OF DTE-26. BRAKE IN HORIZONTAL POSITION: 160 ML OR UNTIL OIL FLOWS FROM FILL LEVER PORT



SERVICE TORQUE FORMULAS:

ENGLISH:
 TORQUE (IN-LBS) = (5.8 * PRESSURE (PSI) - 325)
 METRIC:
 TORQUE (Nm) = (9.42 * PRESSURE (BAR) - 36.7)

		FAILSAFE DATA		SERVICE DATA		SPLINE DATA	
B	B	3200 [362]	220 [15]	2800 [316]	@ 550 [38]	13T 16/32	13T 16/32
MOTOR	REDUCER	RATED TORQUE (LB IN) [Nm]	RELEASE PRESSURE (PSI) [BAR]	RATED TORQUE (LB IN) [Nm]	RELEASE PRESSURE (PSI) [BAR]	(INTERNAL)	(EXTERNAL)
MOUNTING FLANGE SAE J744							

NDC	BI	28038	ADDED DUAL UNITS	03-18-15	NLL
NDC	BI	28038	ADDED FORMULAS	03-18-15	NLL
RS	A	21758	RELEASED FOR PRODUCTION	02-03-04	SJS
CHKR	SYM	ECO	DESCRIPTION	DATE	BY
DO NOT SCALE THIS DRAWING. PROPRIETARY DATA: NOT TO BE DISCLOSED, USED, OR DUPLICATED FOR PROCUREMENT OR MANUFACTURING PURPOSES, EXCEPT AS AUTHORIZED IN WRITING BY AUSCO, INC.					
PROJECT	DATE	PART NAME			
4467	02-03-04	BRAKE MULTI-DISC W/ SERVICE "B" BRAKE WET			
DESIGNER	SCALE	PART NUMBER			
S. SHOUP	1.000	CC-83642			